

Novatek System

The Novatek system was created to offer a low-cost, aesthetically-pleasing steel solution which is simple to install and robust; ideal for all those who need to demarcate hazardous areas.

The visibility of the segregated area is a strong point of this product; the combination of mesh and black colouring significantly improves the vision of the danger zone. Scratch resistance is guaranteed by a special black paint.

Affordable

The price/quality ratio makes this product unique and very competitive in the market.

Modular

Each component has been designed to be modular. In fact the panels themselves act both as fixed elements and, through the use of kits, as a hinged or sliding door.

Visibility

The innovative system of the 32x67 Ø3mm mesh combined with the black colour of the panel improves the visibility of the machinery within the segregated area.

Adjustable on site

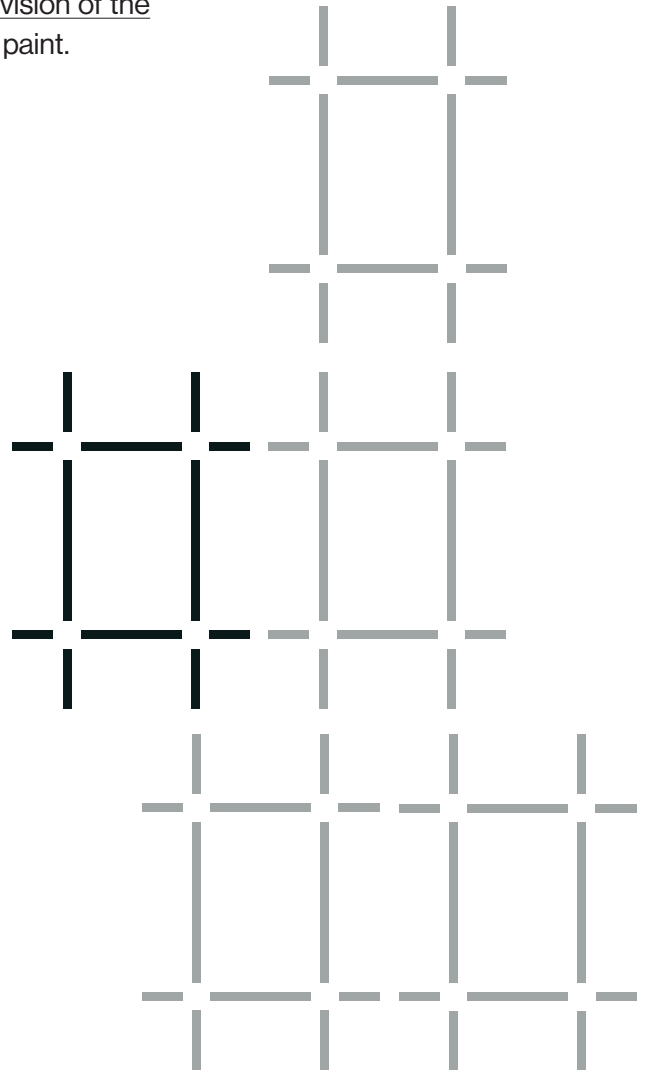
With the Novatek panel cutting kit it will be possible to modify and adapt the panels on site without having to re-weld and repaint the panel.

Resistant

The Novatek system has passed the resistance test and complies with EN ISO 14120.

Anti-climbing

The vertical wires of the 32x67 Ø3mm mesh welded externally prevent climbing.





Example of applications of the Novatek system for the demarcation of areas with hazardous machinery.

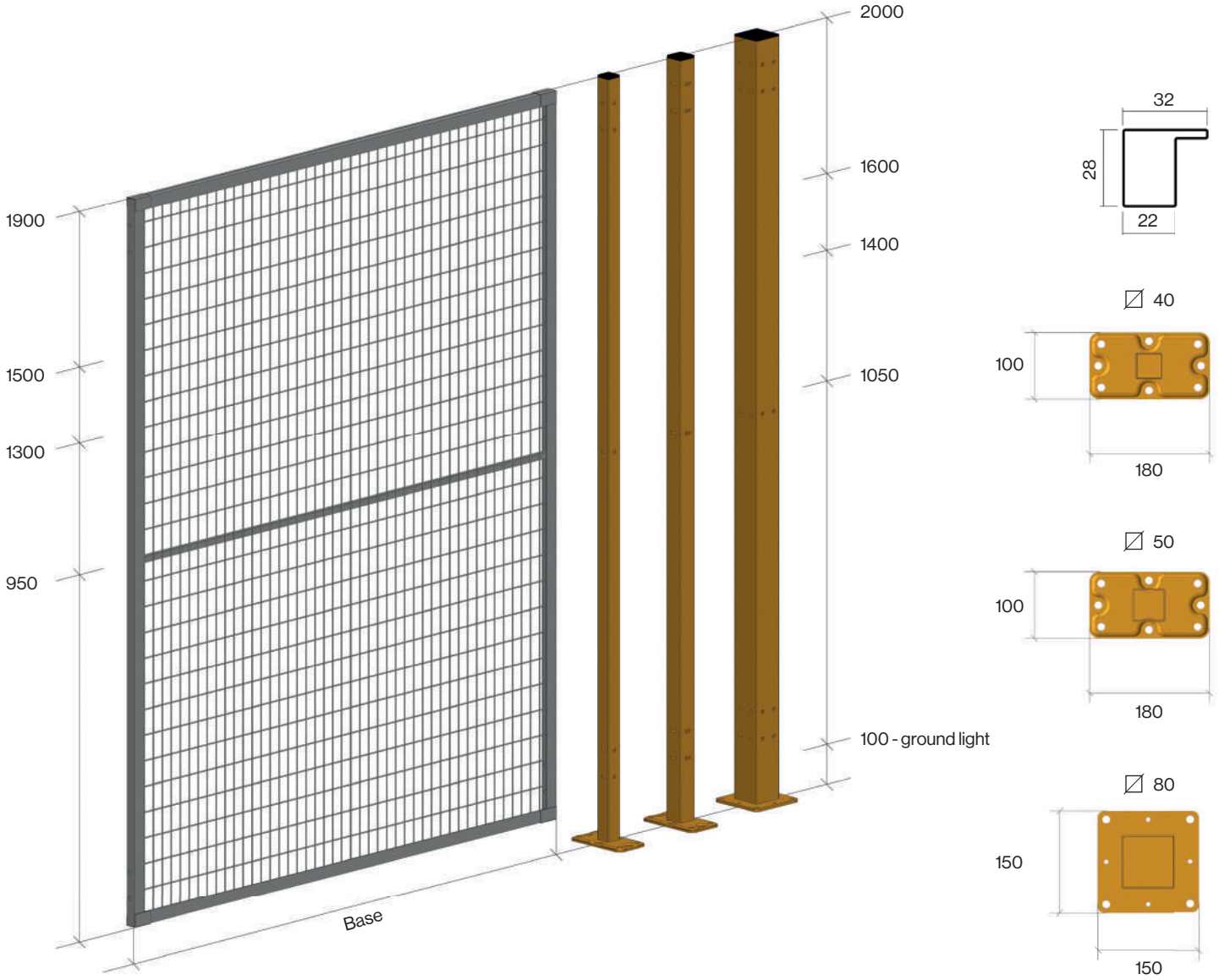


Novatek system

The Novatek system consists of panels with frame and Ø3mm wire mesh, is available in different heights and in combination with the 40 \square or 50 \square or 80 \square posts offers versatile, robust and quick to assemble solutions.

The panel has the mesh welded internally to the profile which gives it greater elegance and rigidity and prevents it from snagging. The posts have a welded plate to increase impact resistance and to allow the system to be fixed to the floor without having to move it from the desired position.

Choose the solution that perfectly suits your requirements.






Panels Options

Base	H 950	H 1300	H 1500	H 1900
250	X	X	X	X
400	X	X	X	X
700	X	X	X	X
1000	X	X	X	X
1200	X	X	X	X
1500	X	X	X	X

Posts Options

Section	H 1050	H 1400	H 1600	H 2000
\square 40	X	X	X	X
\square 50	-	-	-	X
\square 80	-	-	-	X

Colour Options

-  RAL 1003
-  RAL 9005 anti-scratch
-  Custom option



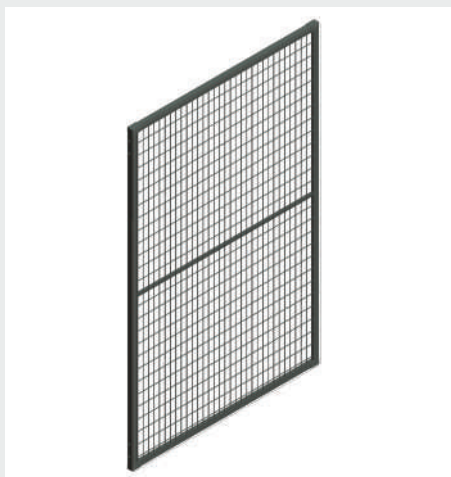
Infills

Infills have become increasingly necessary, which is why we offer a wide range of possibilities detailed below.

Network

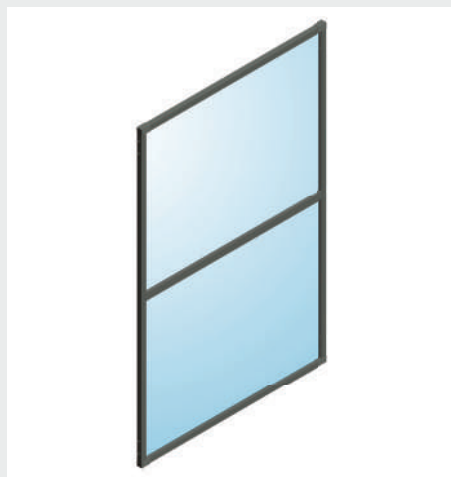
Mesh panel with special infill, ideal for reducing the safety distance from the danger zone.

TEC mesh with mesh 15x105 Ø3mm
RT mesh with mesh 11x60 Ø3mm



Polycarbonate

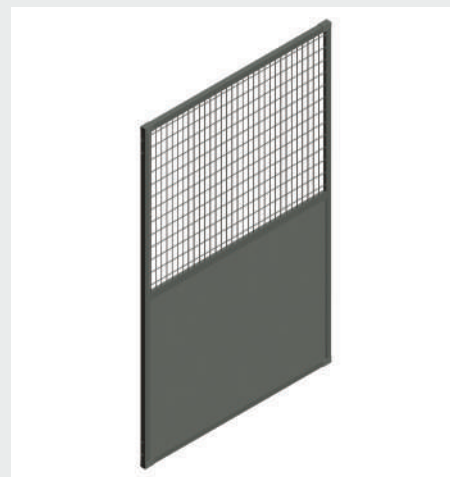
4mm thick polycarbonate with fixing by glazing bead, ideal for ensuring visibility of the segregated area.



Mesh + Metal sheet

Application that allows you to protect against chip projection.

Top: 32x67 Ø3mm mesh or TEC or RT
Bottom: metal sheet



Metal sheet

Ideal for welding islands, this system effectively prevents glare from escaping and offers protection from lubricating liquid and chips.

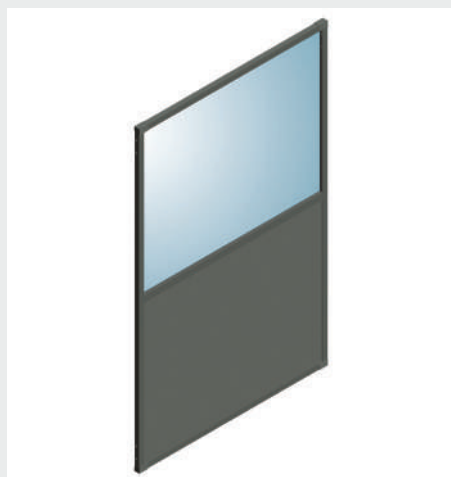
Solid sheet metal for the Novatek or Ecotek version



Polycarbonate + metal sheet

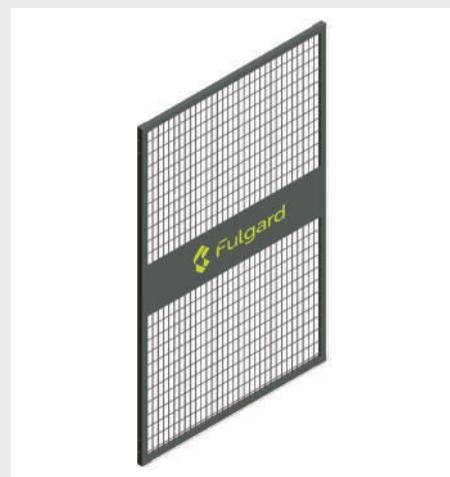
Ideal for machine tools, impact-resistant polycarbonate with glazing beads provides visibility and protection from liquids and chips.

Upper part: polycarbonate th. 4mm
Bottom: sheet metal



Panels with a logo

It is possible to make panels with a custom logo, which is ideal for those who want to make their corporate brand stand out.





Example of application of the Novatek system for the delimitation of areas with handling of loads at high heights.

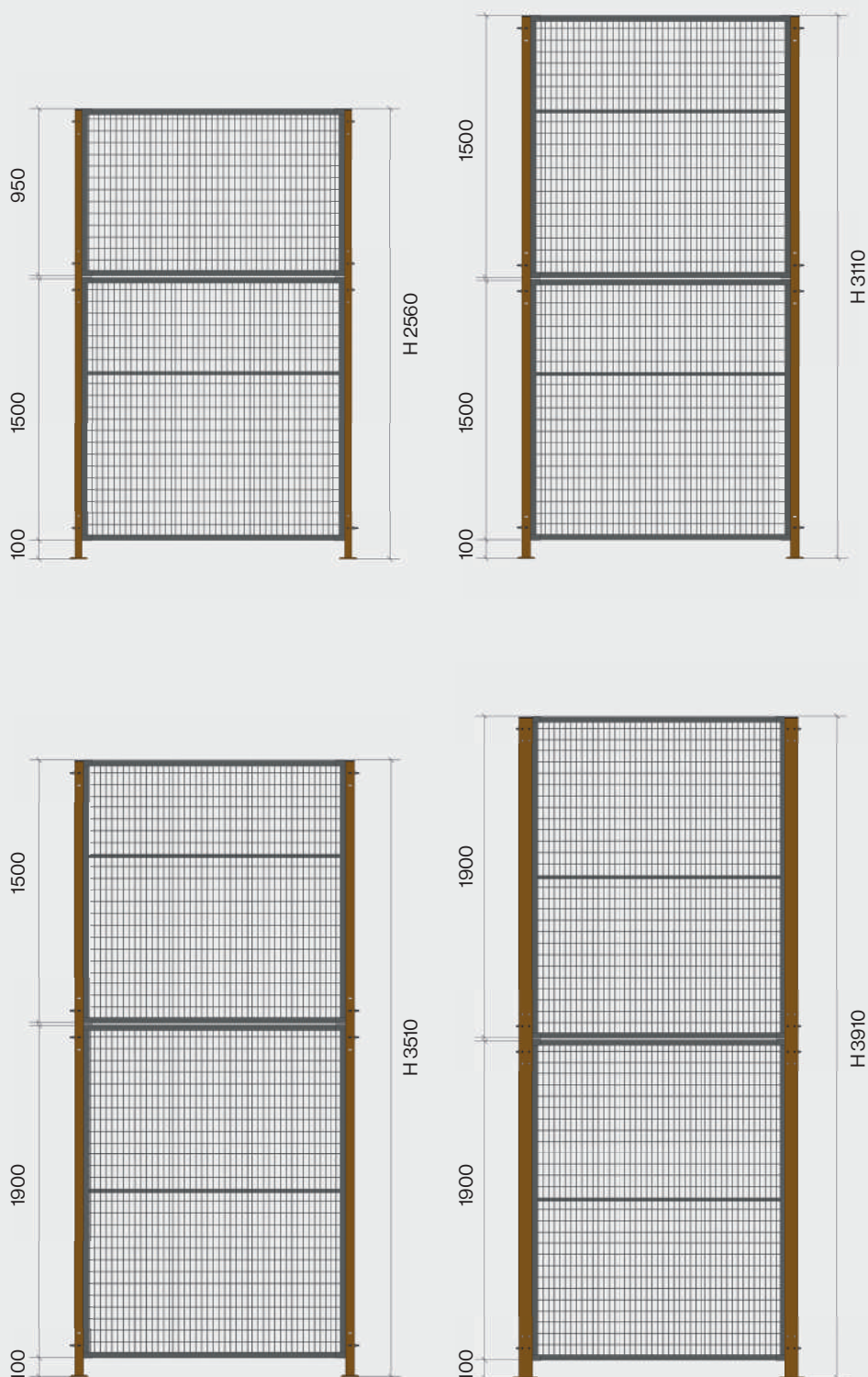
Height modularity of the Novatek and Ecotek systems

The Novatek and Ecotek safety systems allow you to create taller guarding, due to the use of special posts. This makes the systems extremely versatile, allowing the barriers to be adapted to the specific needs of each working environment.



Possible combinations

The diagrams show the height combinations of the Novatek system.



Novatek Overlay

Section	H 2560	H 3110	H 3510	H 3910
∅ 40	X	-	-	-
∅ 50	X	X	X	-
∅ 80	-	X	X	X

Ecotek Overlay

Section	H 2560	H 3110	H 3510	H 3910
∅ 50	-	X	-	-
∅ 80	-	X	-	X

Accessories

Intermediate support foot

Ideal for long distances, this foot can replace the standard post, offering impact resistance and cost savings.



Panel joining kit

This kit allows you to join two panels together to create non-standard panels, ideal for sliding doors on the ground or panels that are longer than normal.



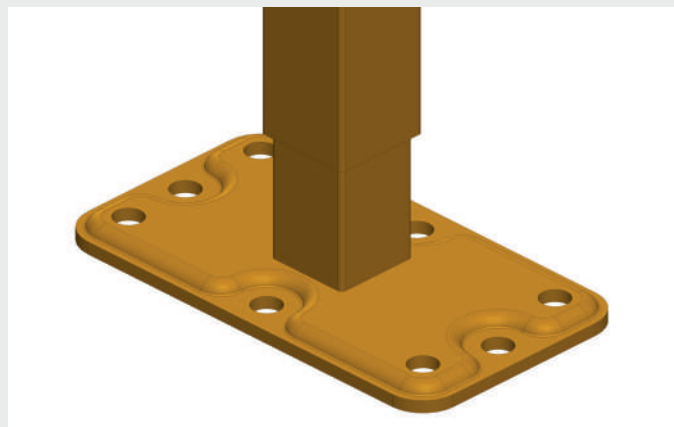
Extension kit

Using two special screws, this kit allows you to very easily extend the panel from +30 to +120mm.



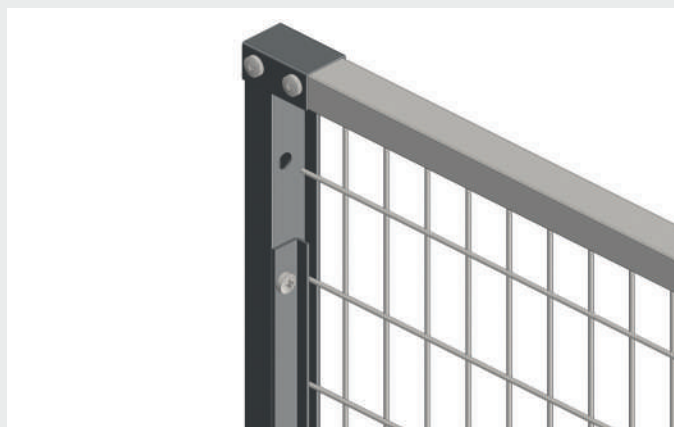
Height-adjustable post

This post allows, under unfavorable floor conditions with uneven floor, an easy regulation. Available in $\varnothing 40$.



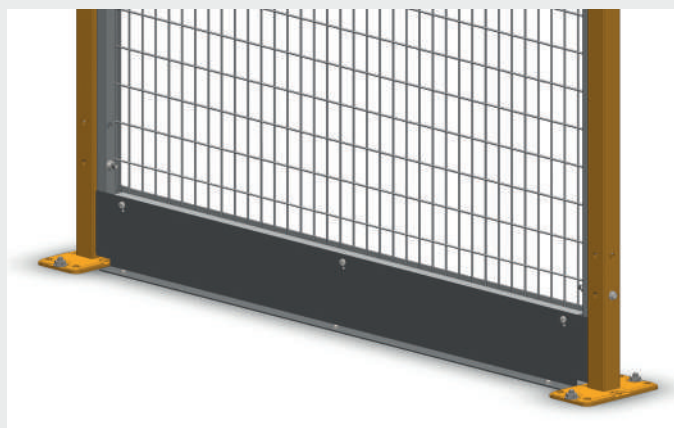
On-site panel cutting kit

With the Novatek panel cutting kit, it is possible to modify and adapt the framed panels on site without having to re-weld and repaint them.



Ground infill

This accessory allows you to close the ground light.





Novatek Quick kit

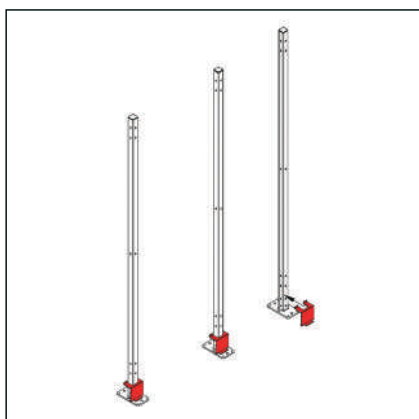
The Novatek Quick kit is a tool designed to reduce assembly times. In fact with this kit, consisting of three brackets, installation by a single operator is even possible.

The system complies with current regulations.

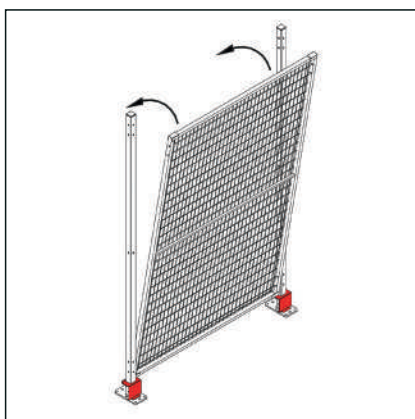
A basic requirement for fixed guards is that they must be fastened using systems that can only be opened with the use of tools and, as far as possible, must not be able to remain in place without their fastening mechanism.

At the end of the operations, therefore, the kit must be removed.

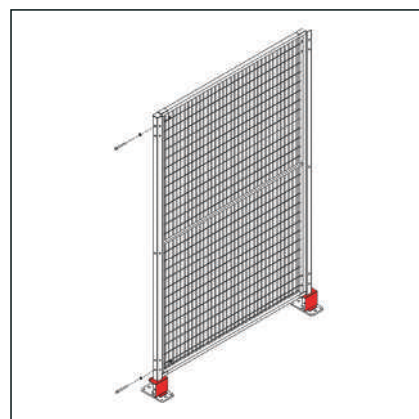
Step 01



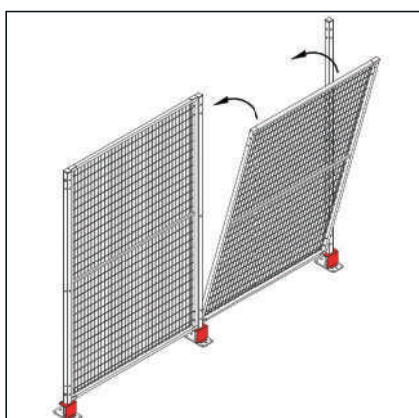
Step 02



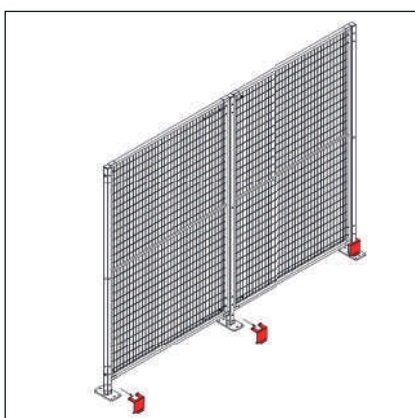
Step 03



Step 04



Step 05



Watch the video

