

Techno System

The Techno safety system available in the Ø3mm and Ø4mm wire version has been created to offer all those who have to delimit hazardous areas, a low-cost and easy-to-install steel solution.

This product was born as a self-supporting panel, with a mesh designed to improve the view of the segregated machinery. The visibility of the segregated area is a strong point of this product; the combination of mesh and black colouring significantly improves the vision of the danger zone. Scratch resistance is guaranteed by a special black paint.

Affordable

The cost is low because it is made of self-supporting mesh.

Modular

The Techno system was created with the precise intention of being interchangeable with other systems: hybrid structures can be created by mixing a framed guarding system together with Techno, one adjacent to the other. This way, the robustness of one system and the flexibility of the other are exploited.

In fact, the doors themselves are made with the Novatek series.

Visibility

The innovative 32x67 Ø3mm mesh system improves the view of the machinery within the segregated area.

Adjustable on site

This system has the great advantage of being adjustable on site using very few tools.

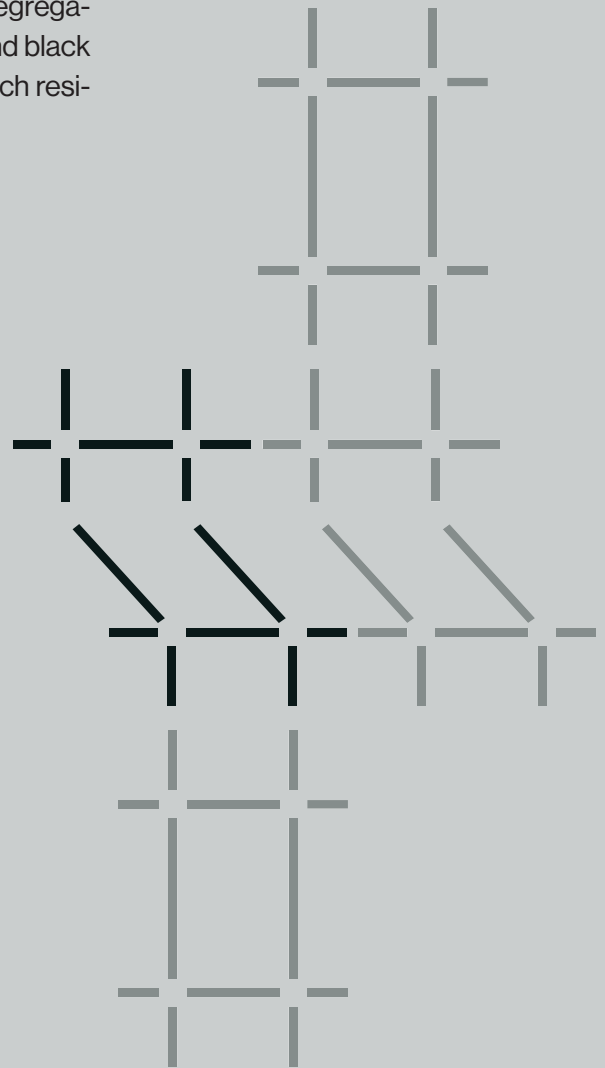
Resistant

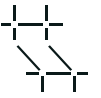
The Techno system has passed the resistance test and complies with the EN ISO 14120.

Anti-climbing

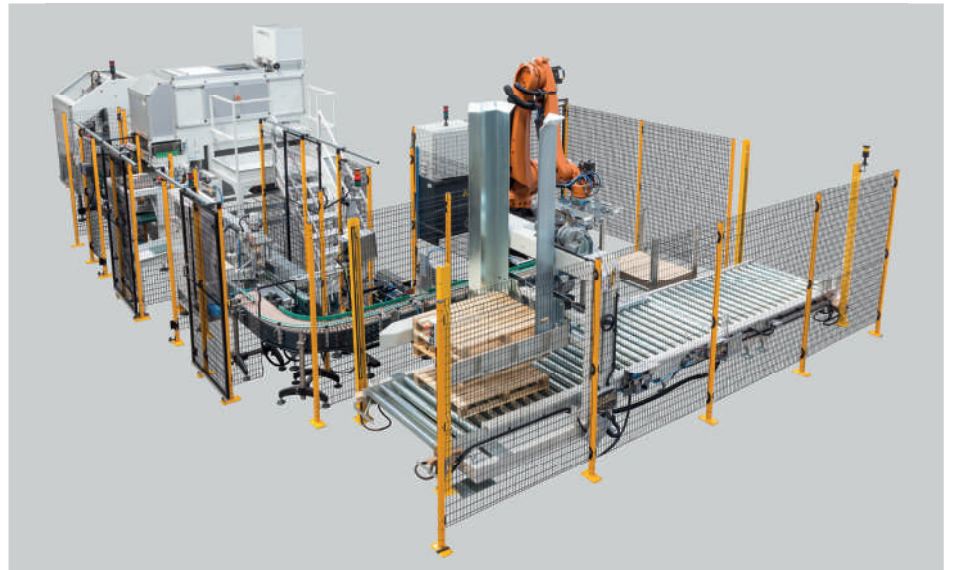
The Techno system has been designed to make climbing difficult.

The vertical wires of the 32x67 Ø3mm mesh are welded externally prevent climbing. The position and inclination of the mesh wires make it difficult for a shoe to grip onto them.





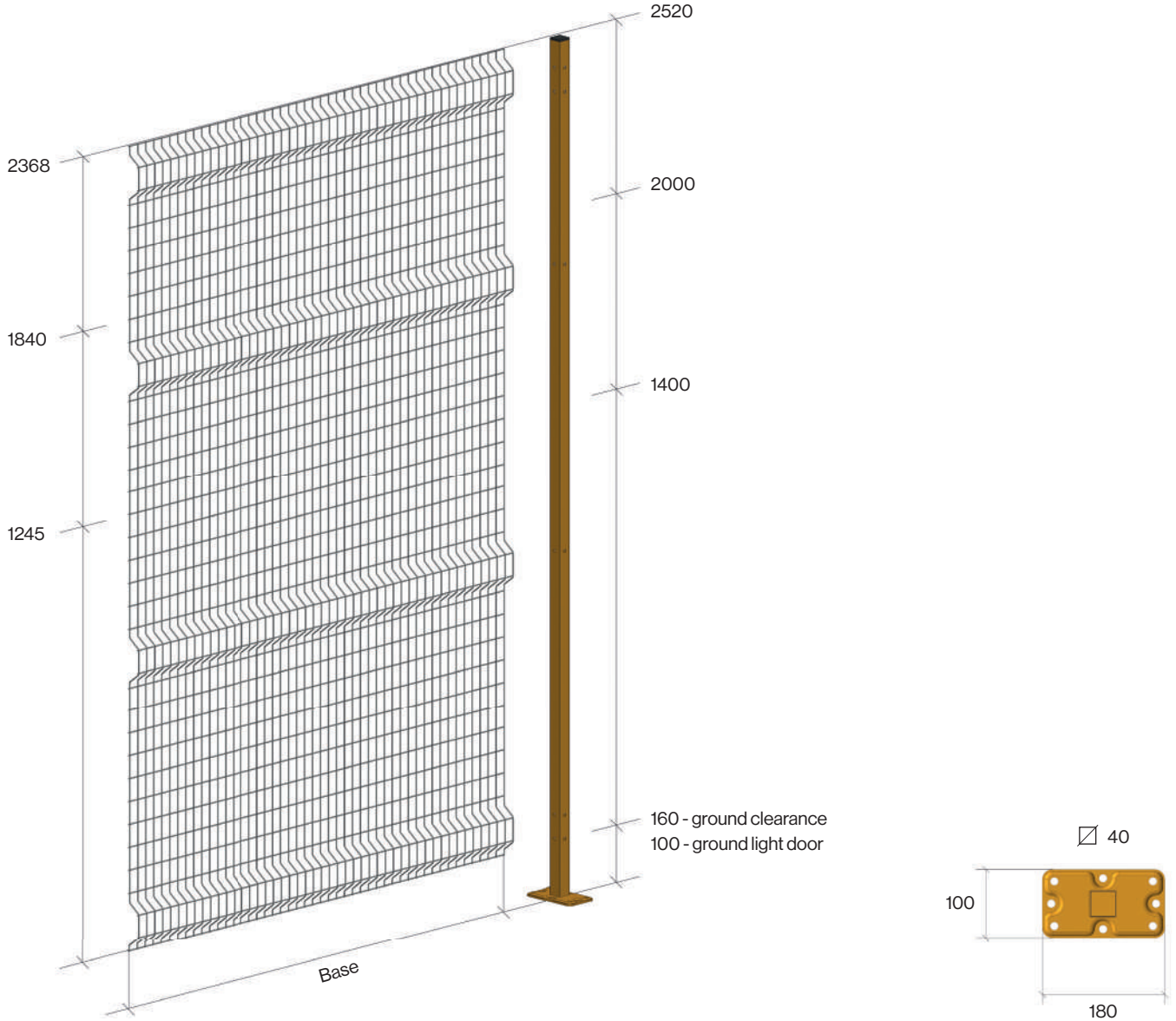
Example of applications of the Techno system for the delimitation of areas with hazardous machinery.



Techno Ø3 system

The Techno Ø3 system is composed of Ø3mm wire self-supporting mesh panels, is available in different heights and in combination with the 40 \square posts offers versatile, low-cost and quick to assemble solutions. In addition, scratch resistance is guaranteed by a special black paint.

The posts have a welded plate to increase impact resistance and to allow the system to be fixed to the floor without having to move it from the desired position.



Panels Options

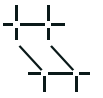
Base	H 1240	H 1840	H 2368
259	-	X	X
419	-	X	X
707	-	X	X
1027	X	X	X
1219	-	X	X
1507	X	X	X
2019	-	X	-

Posts Options

Section	H 1400	H 2000	H 2520
\square 40	X	X	X

Colour Options

-  RAL 1003
-  RAL 9005 anti-scratch
-  Customised option

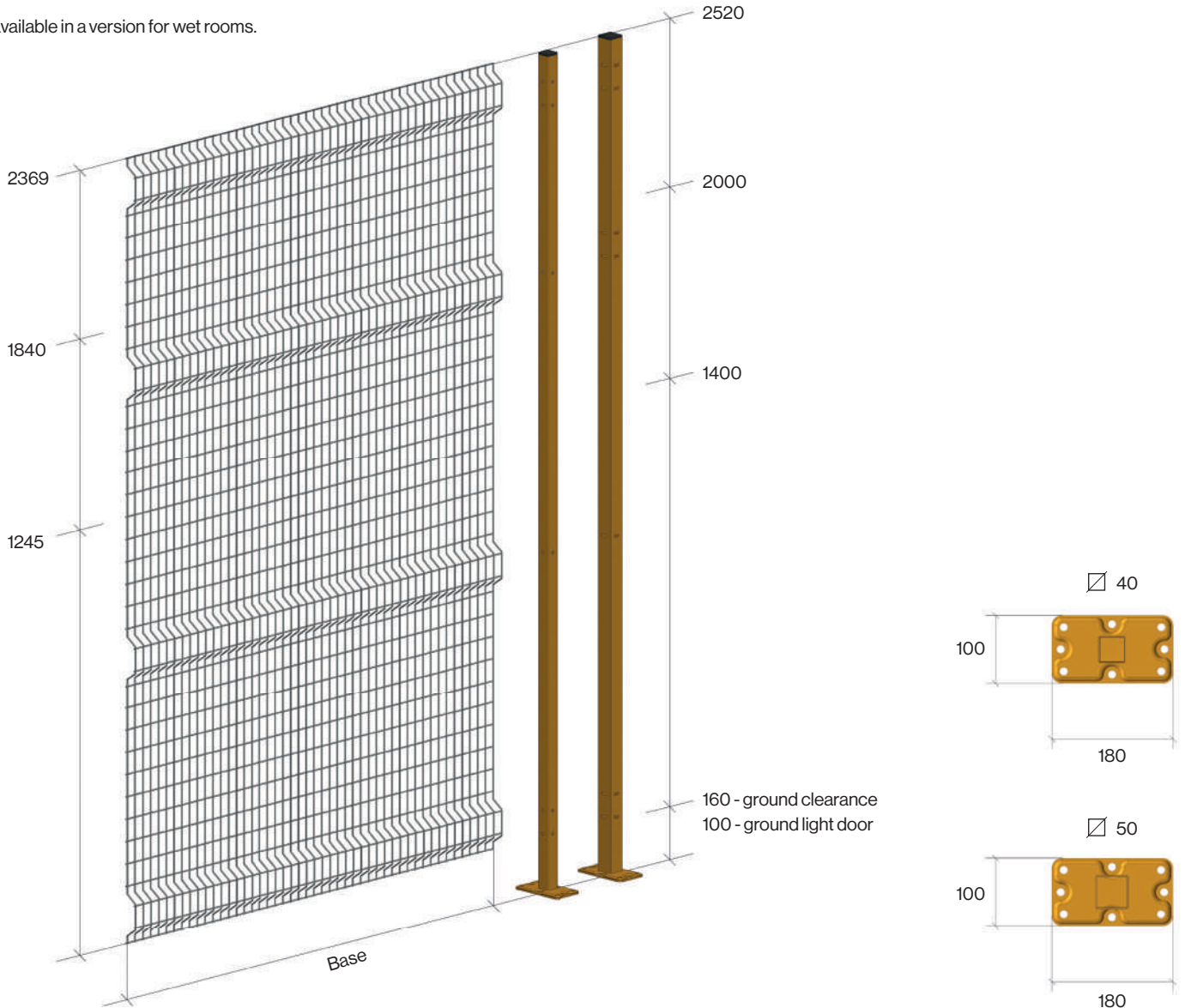


Techno Ø4 system

The Techno Ø4 system is composed of Ø4mm wire self-supporting mesh panels, is available in different heights and in combination with the 40 \square or 50 \square posts offers versatile solutions, robust and quick to assemble. In addition, scratch resistance is guaranteed by a special black paint.

The posts have a welded plate to increase impact resistance and to allow the system to be fixed to the floor without having to move it from the desired position.

Also available in a version for wet rooms.






Panels Options

Base	H 1240	H 1840	H 2369
260	-	X	X
420	-	X	X
708	-	X	X
1028	X	X	X
1220	-	X	X
1508	X	X	X
2020	-	X	X
2500	X	X	-

Posts Options

Section	H 1400	H 2000	H 2520
\square 40	X	X	X
\square 50	X	X	X

Colour Options

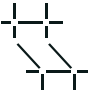
-  RAL 1003
-  RAL 9005 anti-scratch
-  Customised option



Example of application of the Techno system for the delimitation of areas with the handling of loads at high heights.

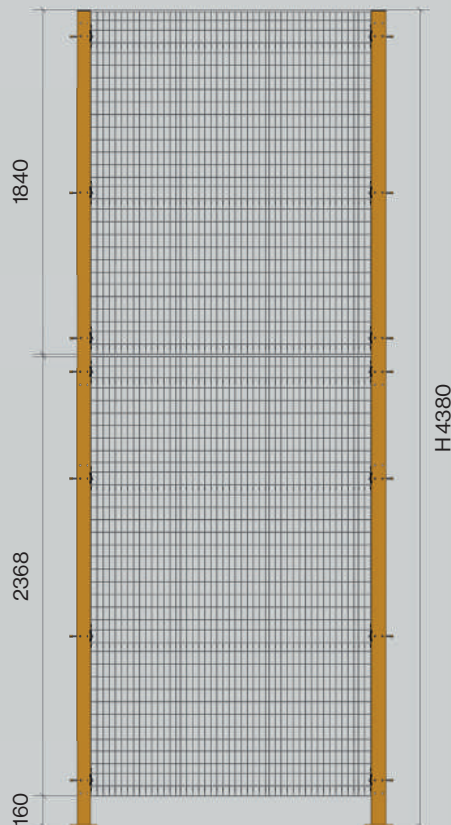
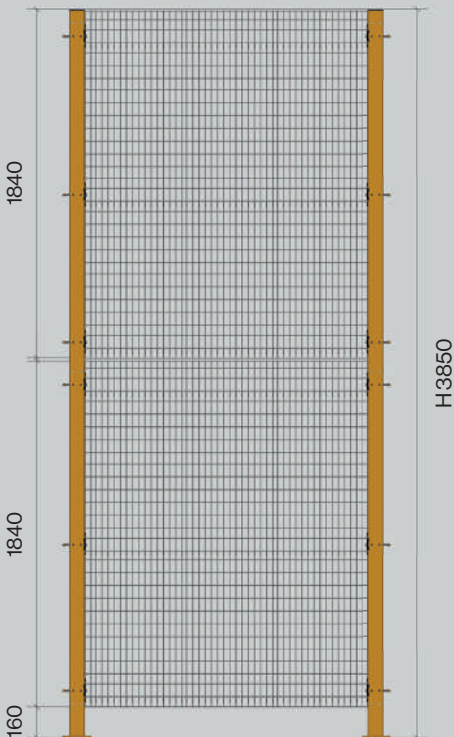
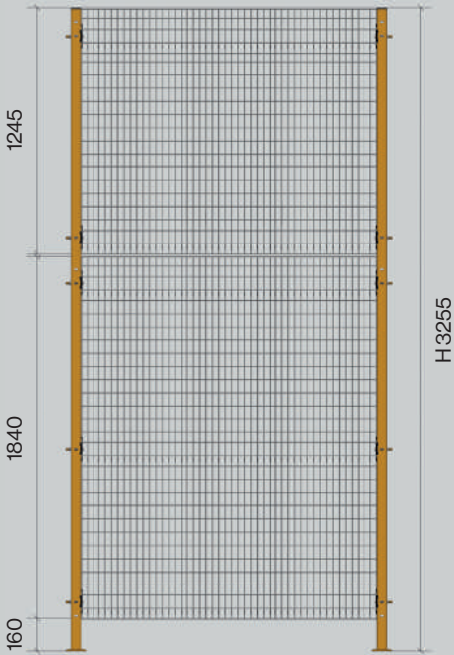
Modularity of the Techno system

The Techno safety system allows you to create higher protections, thanks to the use of special posts. This makes the Techno system extremely versatile, allowing the barriers to be adapted to the specific needs of each working environment.



Possible combinations

The diagrams show the height combinations of the Techno system.



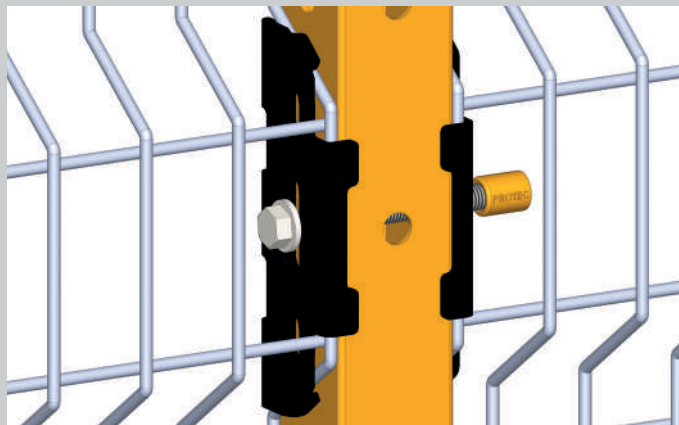
Techno Overlay

Section	H3255	H3850	H 4380
∅40	-	-	-
∅50	X	-	-
∅80	-	X	X

Accessories

Captive screw kit

Patented system, compliant with current standards, is easy to install and is always supplied.



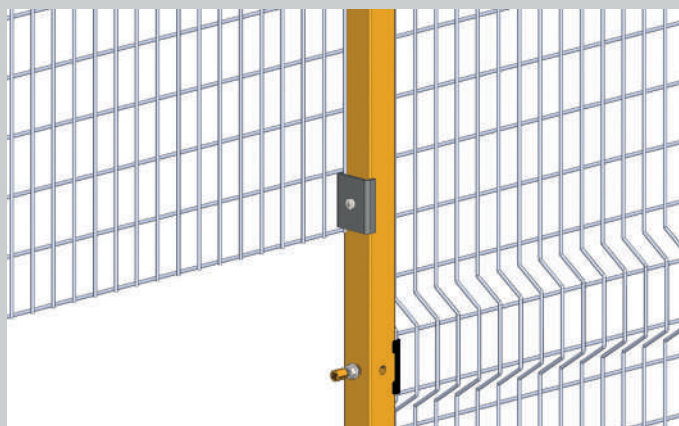
Convex corner kit

This accessory allows you to make convex 90° angles.



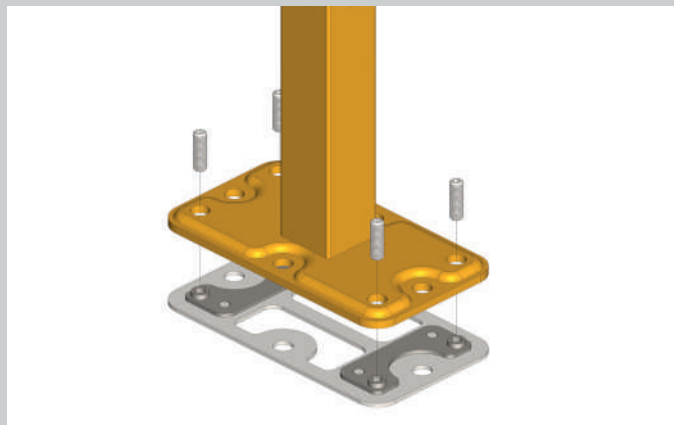
1 fold panel fixing kit

This accessory allows you to fix the panel to the posts after shortening it following a horizontal cut.



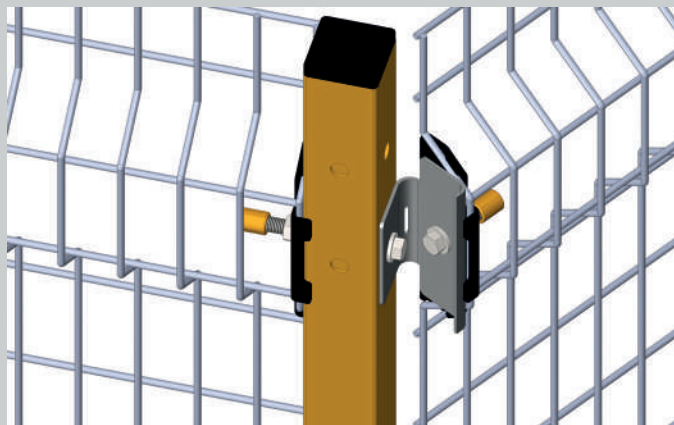
Leveling kit

This kit allows you to level and level the posts. Ideal for adjusting door posts.



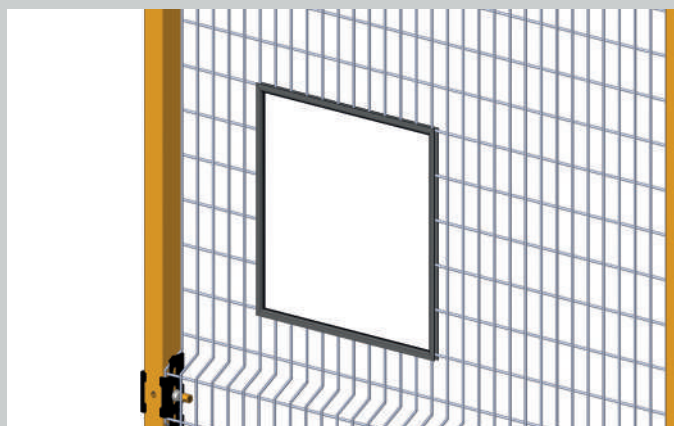
Panel inclination kit

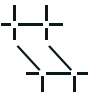
This accessory allows you to make inclinations from 30° to 180°.



Rubber profile

This accessory helps protect against sharp edges.





Quick Techno kit

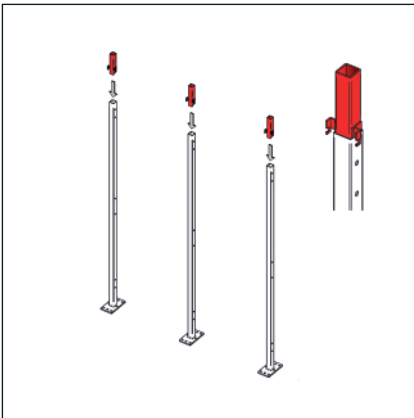
The Quick Techno kit is a tool designed solely and exclusively to reduce assembly times. In fact with this kit, consisting of three brackets, installation by a single operator is even possible.

The system complies with current regulations.

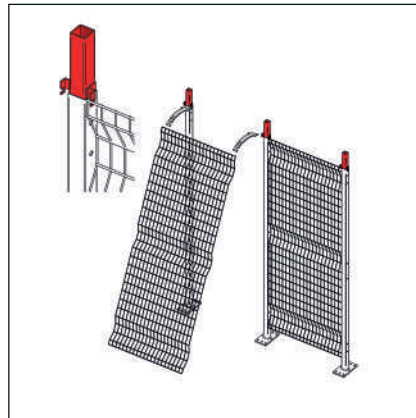
A basic requirement for fixed guards is that they must be fastened using systems that can only be opened with the use of tools and, as far as possible, must not be able to remain in place without their fastening mechanism.

At the end of the operations, therefore, the kit must be removed.

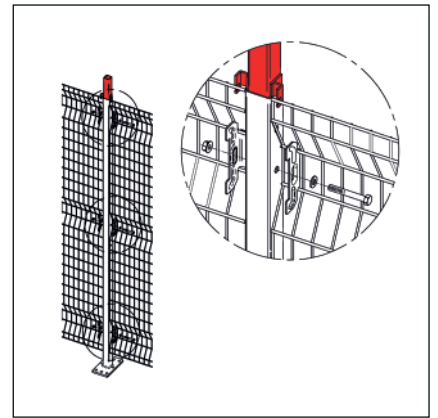
Step 01



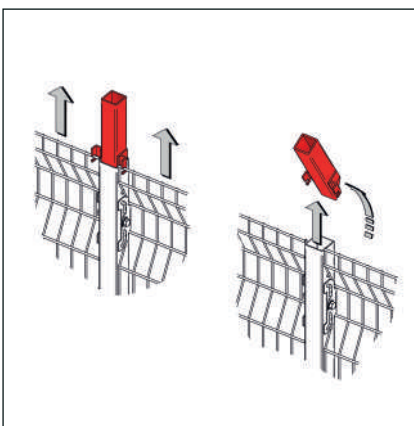
Step 02



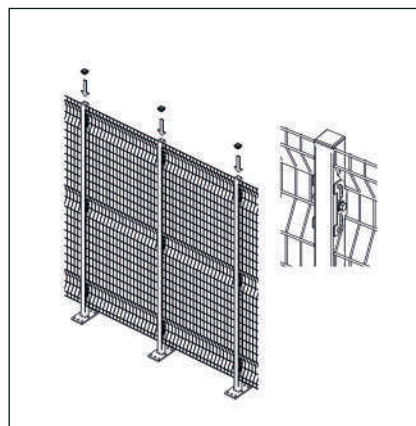
Step 03



Step 04



Step 05



Watch the video

